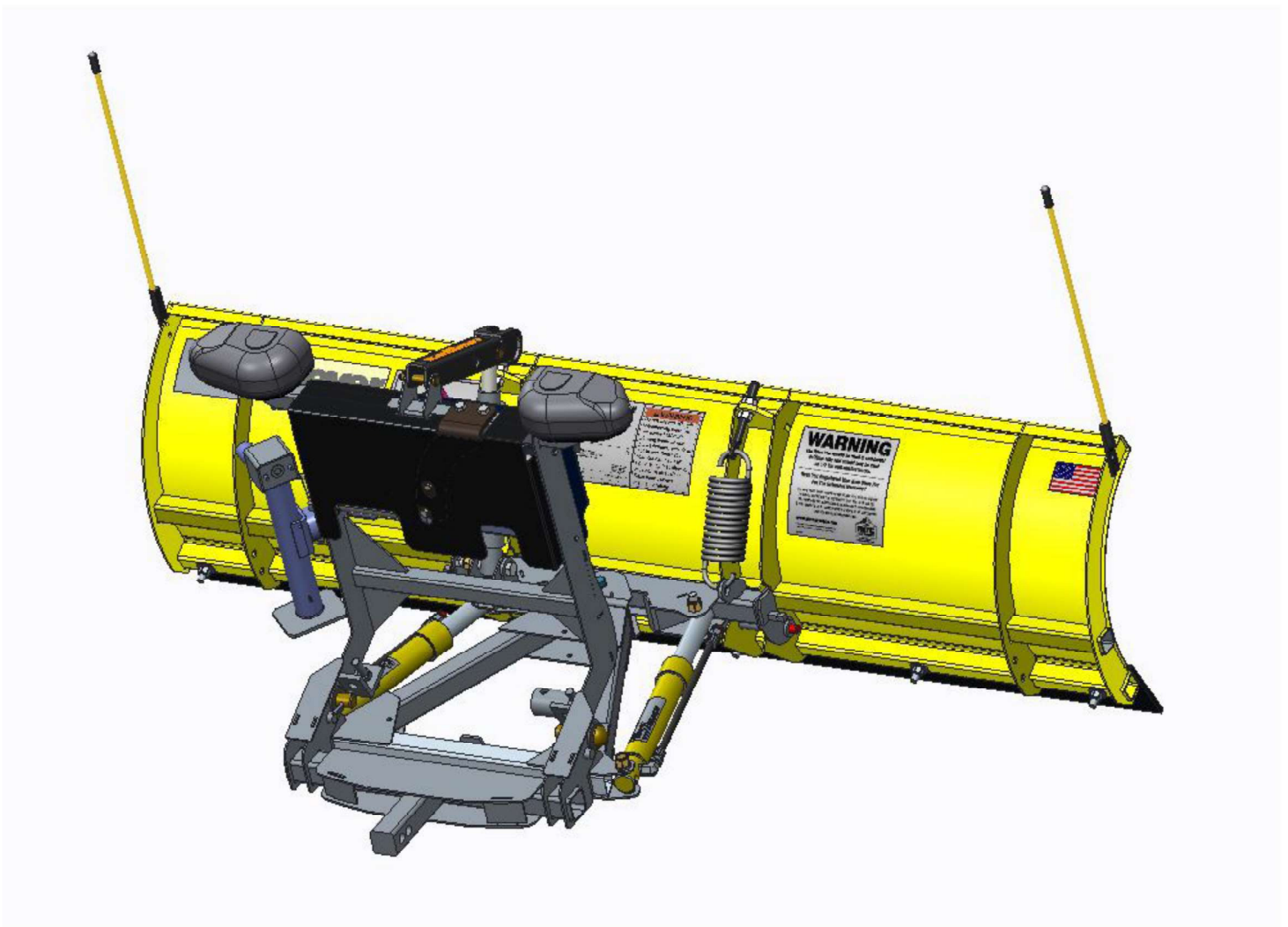


EZ Build Assembly and Installation

28200 2" Receiver Drive Pro Standard Operating System with Hands Free Plowing and E-73 12V Hydraulic Unit
28210 2" Receiver Drive Pro Standard Operating System with Hands Free Plowing and E-73 12V Hydraulic Unit
28220 2" Receiver Drive Pro Standard Operating System with Hands Free Plowing and E-73 12V Hydraulic Unit
28260 2" Receiver Drive Pro Standard Operating System with Hands Free Plowing and E-73 12V Hydraulic Unit



Meyer Products LLC reserves the right, under its continuing product improvement program, to change construction or design details, specifications and prices without notice or without incurring any obligation.



Meyer Products LLC
18513 Euclid Ave. • Cleveland, Ohio 44112-1084
Phone 216-486-1313
www.meyerproducts.com • email info@meyerproducts.com

Table of Contents

General Information	1
Illustrated Parts Lists	2-4
Attaching Plow to EZ Build Assembly.....	5
Vehicle Side Wiring Diagram.....	6
Stop Bolt Adjustment	6
Mount Plow System To Vehicle	7
Dis-Mount Plow System From Vehicle	8
E-73 Hydraulic Unit Drop Speed Adjustment, Wiring and Accessories	9
Pre-Delivery Inspection	10

Web Based Support

Service Manuals



<http://www.meyerproducts.com/TechSupport/ServiceManualsandInstallationInstructions.aspx>

EZ-Troubleshooter



<http://www.meyerproducts.com/techsupport/EZtroubleshooter.aspx>

Owners Manual



<http://www.meyerproducts.com/TechSupport/OwnersManuals.aspx>

Mount/DismountVideos



http://www.youtube.com/playlist?list=PLDE0602B305314D92&feature=edit_ok

Please visit our website to find our most updated technical information.

GENERAL INFORMATION

CAUTION Always disconnect battery prior to installation.

SAFETY PRECAUTIONS should be used when Quik Lift® is in a RAISED position. LOWER plow to the ground when vehicle is PARKED.

OVERHAUL and SERVICE information is covered on separate instructions.

WARNING Lift arm should be removed from vehicle if / when snowplow is removed.

Note:

1. Connect ground cable to negative side of battery for a solid connection to ground.
2. **CAUTION** Route all cables away from moving engine parts, Manifolds, and sharp sheet metal.
3. For weather protection, coat all connections with Meyer Dielectric Grease Part No. 15632
4. The vehicle must be equipped with a "Heavy Duty Battery" (70 Amp, Hr. Min.), 550 C.C.A. and "Alternator" (60 Amp. Min.) to obtain maximum performance
5. Follow these instructions explicitly. Warranty does not apply to a Meyer product which has been negligently or improperly assembled or installed

Tool list for Plow assembly:

Pliers	9/16" socket
1/2" socket	3/4" box wrench
1/2" box wrench	15/16" box wrench
9/16" box wrench	15/16" deep well socket

ADDITIONAL BATTERY CONNECTIONS

1. When attaching cables to battery with side post terminals, use M.P. Adaptor Part #21976.

Please check the contents of your crate. Page 2 shows the assembled parts in the left hand column and the accessory box in the right hand column. Page 3 is the diagram for the left hand column of page 2.

TORQUE CHART FOOT POUNDS

Bolt Nut Size	Gr. 2	Gr. 5	Gr. 8
1/4 - 20	4 - 5		
5/16 - 18	9 - 11		
3/8 - 16	17 - 20	26 - 29	
7/16 - 14		42 - 46	60 - 66
1/2 - 13		64 - 72	90 - 100
5/8 - 11		127 - 141	179 - 198

Parts Diagram

28200, 28210, 28220, and 28260 E-73 EZ Build



Parts List

Item	Part No.	Part No.	Qty.	Description	Item	Part No.	Part No.	Qty.	Description
	28200	-----	1	DP 5' 2" Rec E-73 DP Mount Assy.		28301	28301	1	• Accessory Box
	-----	28210	1	DP 6' 2" Rec E-73 DP Mount Assy.	41	23025	23025	1	-- Power Cable - 36"
1	05888	05888	1	• Lift Ram 1-1/2 x 8"	42	12978	12978	2	-- Trip Spring
	07772	07772	1	• LH Ram with Hose & Fittings		09917	09917	1	-- Plow Marker Kit
2	05887	05887	1	-- Ram (1-1/2" x 10")	43	08214	08214	2	--- Plow Marker
3	22866	22866	1	-- SAE 6 x 90 Degree Elbow	44	20027	20027	4	--- Bolt H 5/16-18 x 1 Gr. 2
4	22885	22885	1	-- Hose Assy 1/4 x 54" M-6	45	20304	20304	4	--- Locknut 5/16-18
	07783	07783	1	• RH Ram with Hose & Fittings	46	20352	20352	8	--- Flatwasher 5/16"
2	05887	05887	1	-- Ram (1-1/2" x 10")	47	15372	15372	1	-- Starter Solenoid - 12 volt
3	22866	22866	1	-- SAE 6 x 90 Degree Elbow	48	21832	21832	1	-- Split Bushing
4	22921	22921	1	-- Hose Assy 1/4 x 38" M-6	49	23047	23047	1	-- Controller
5	10514	10514	1	• Lift Arm	50	23038	23038	1	-- Truck Side Harness
6	14250	14250	1	• Pivot Bar Drive Pro 6.8		41102	41102	1	-- Hardware Bag
7	14185	14185	1	• E-73 DP Mounting Bracket	51	09124	09124	2	--- Eye Bolt
8	14232	14232	1	• A-Frame Drive Pro	52	20357	20357	2	--- Flatwasher 5/8"
9	14289	14289	1	• E-73 Lift Unit Cover Front	53	20385	20385	2	--- Cotter Pin 1/8 x 1-1/4"
10	14288	14288	1	• E-73 Lift Unit Cover Rear	54	22989	22989	2	--- Pivot Pin 5/8 x 5-3/4"
11	14290	14290	2	• Lift Unit Cover Bracket	55	20357	20357	2	--- Flatwasher 5/8"
12	16027	16027	1	• E-73 Lift Ass'y. (Unit only)	56	22686	22686	2	--- Trip Bumper
13	18926	18926	1	• Lift Frame	57	15187	15187	1	• Breather
14	20146	20146	1	• Bolt H 5/8 - 11 x 3-1/4" Gr. 5	58	23034	23034	1	• Keyed Ignition Relay
15	20147	20147	4	• Bolt H 5/8 - 11 x 3-1/2" Gr. 5	60	14065	14065	1	• Dp Std Caster Kit
16	20309	20309	6	• Locknut 5/8 - 11	61	08571	08571	1	-- Hdwe Bag Hairpin Cotter
17	20331	20331	2	• Lockwasher 5/8"	62	14062	14062	3	-- Im XI Caster Assy
18	20357	20357	2	• Flatwasher 5/8"					
19	20385	20385	2	• Cotter Pin 1/8 x 1-1/4"					
20	22845	22845	1	• Hair Pin					
21	20420	20420	2	• Cotter Pin 1/4 x 2"					
22	22000	22000	1	• Bolt H 5/8-11 x 4-1/2" Gr. 8					
23	22022	22022	1	• Crankstand					
24	22436	22436	2	• Pin 1 x 3"					
25	23039	23039	1	• Plow Side Harness					
26	22719	22719	2	• Pivot Pin 5/8 x 3"					
27	22866	22866	1	• SAE Mx3/8 90 Degree Elbow					
28	22884	22884	1	• Hose 1/4 x 33"					
29	20027	20027	4	• Bolt H 5/16-18 x 1" Gr. 2					
30	20049	20049	4	• Bolt H 3/8-16 x 1 Gr. 2					
31	20100	20100	2	• Bolt H 1/2-13 x 2-3/4" Gr. 5					
32	20305	20305	4	• Locknut 3/8-16					
33	20307	20307	2	• Locknut 1/2-13					
34	8501003013	8501003013	4	• 5/8-11 Finish Nut					
35	20800	20800	1	• Quick Link 5/16"					
36	21543	21543	1	• Chain 5/16" x 29"					
37	11101	11101	1	• Hinge Pin					
38	22083	22083	1	• Lynch Pin					
39	20352	20352	4	• Flatwasher 5/16"					
40	8500003307001	8500003307001	2	• Bolt H 5/8-11 x 3" Gr. 5					

Parts indented are included in the carton, bag or assembly under which they are indented.

Meyer Products LLC reserves the right, under its continuing product improvement program, to change construction or design details, specifications and prices without notice or without incurring any obligation.

Parts Diagram

28200, 28210, 28220, and 28260 E-73 EZ Build

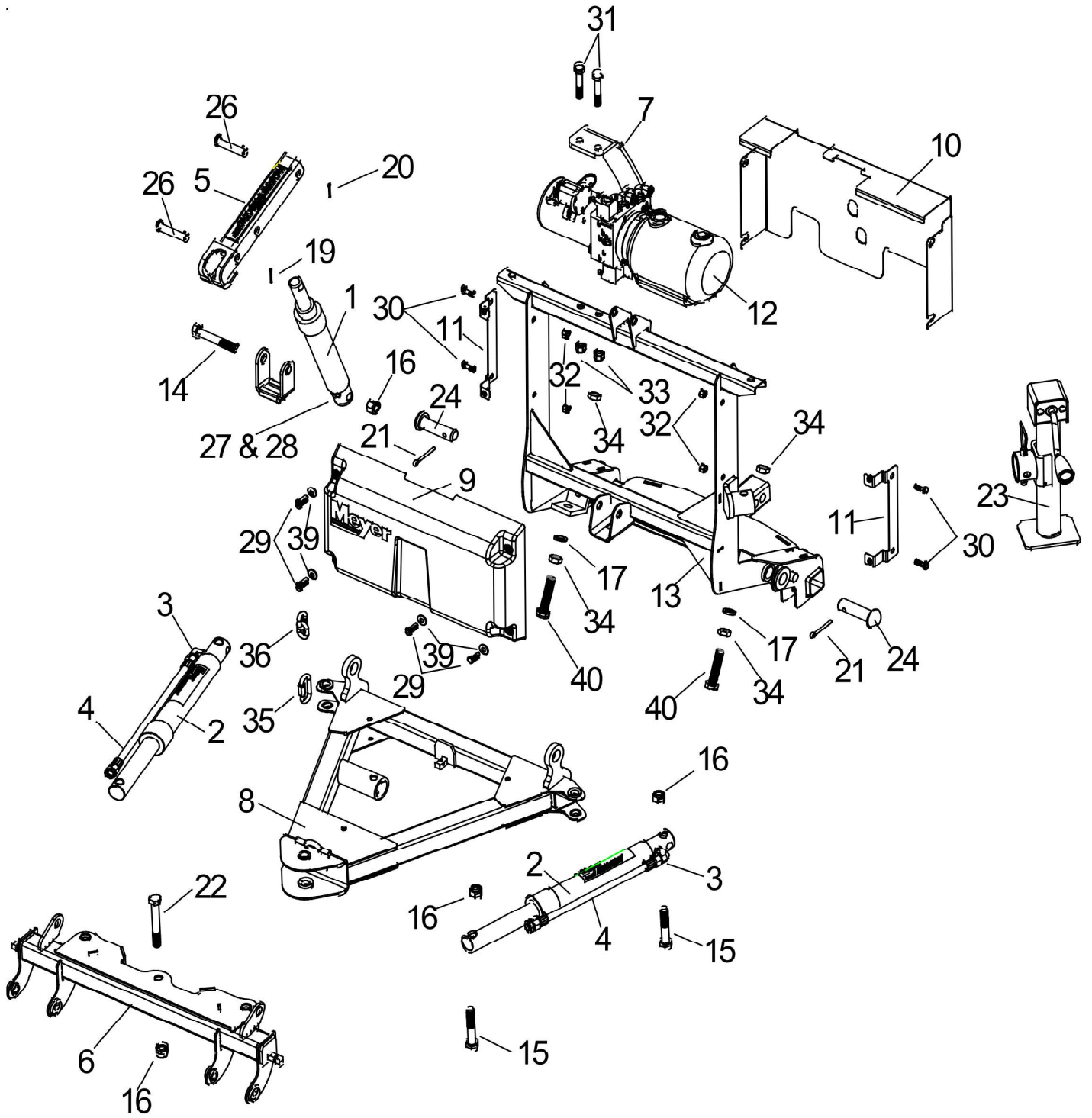


Parts List

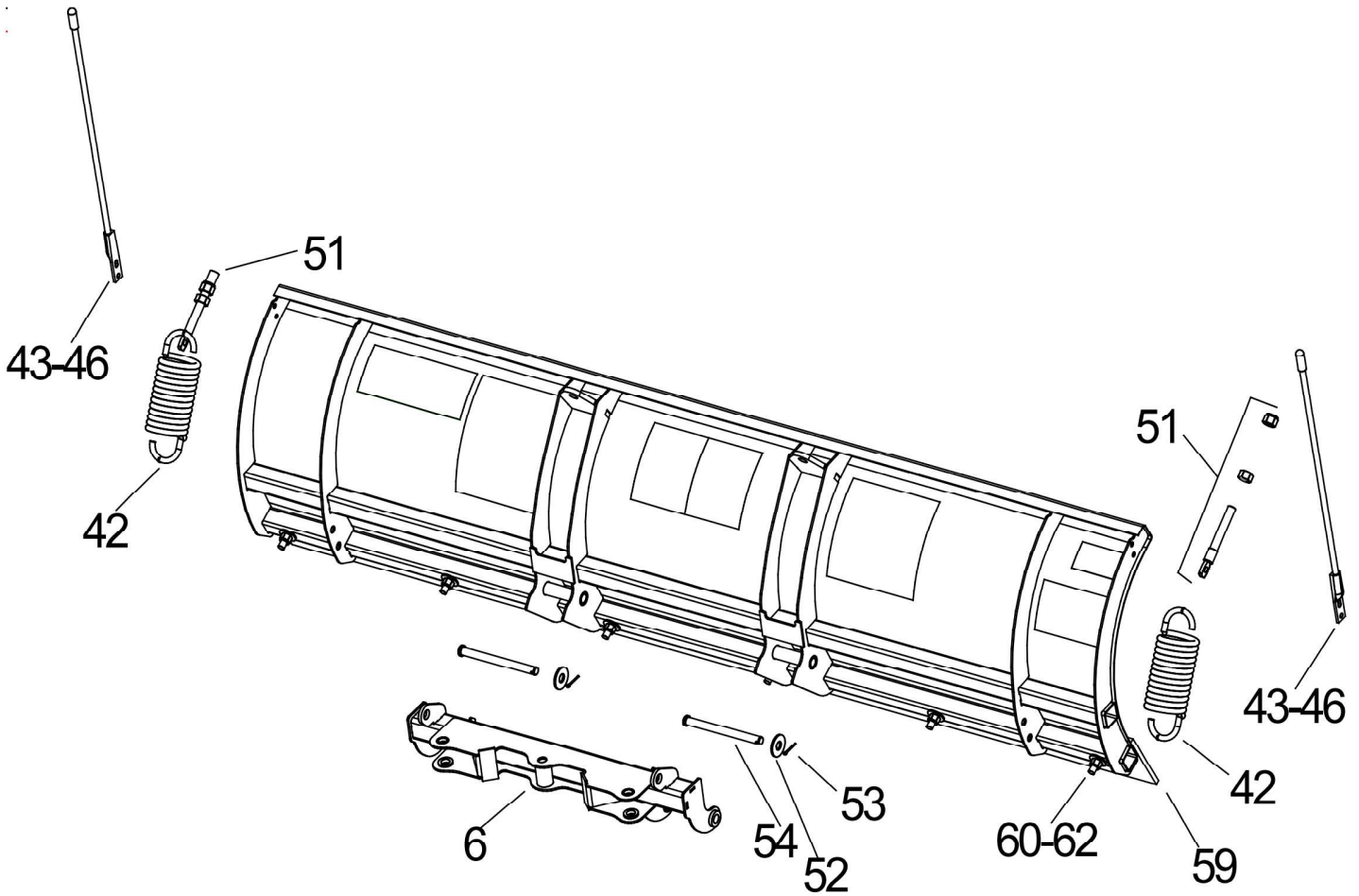
Item	Part No.	Part No.	Qty.	Description	Item	Part No.	Part No.	Qty.	Description
	28220	-----	1	DP 6.8 2" Rec E-73 DP Mount Assy.		28301	28301	1	• Accessory Box
	-----	28260	1	DP 7.6 2" Rec E-73 DP Mount Assy.	41	23025	23025	1	-- Power Cable - 36"
1	05888	05888	1	• Lift Ram 1-1/2 x 8"	42	12978	12978	2	•• Trip Spring
	07772	07772	1	• LH Ram with Hose & Fittings		09917	09917	1	•• Plow Marker Kit
2	05887	05887	1	•• Ram (1-1/2" x 10")	43	08214	08214	2	••• Plow Marker
3	22866	22866	1	•• SAE 6 x 90 Degree Elbow	44	20027	20027	4	••• Bolt H 5/16-18 x 1 Gr. 2
4	22885	22885	1	•• Hose Assy 1/4 x 54" M-6	45	20304	20304	4	••• Locknut 5/16-18
	07783	07783	1	• RH Ram with Hose & Fittings	46	20352	20352	8	••• Flatwasher 5/16"
2	05887	05887	1	•• Ram (1-1/2" x 10")	47	15372	15372	1	•• Starter Solenoid - 12 volt
3	22866	22866	1	•• SAE 6 x 90 Degree Elbow	48	21832	21832	1	•• Split Bushing
4	22921	22921	1	•• Hose Assy 1/4 x 38" M-6	49	23047	23047	1	-- Controller
5	10514	10514	1	• Lift Arm	50	23038	23038	1	•• Truck Side Harness
6	14250	14250	1	• Pivot Bar Drive Pro 6.8		41102	41102	1	•• Hardware Bag
7	14185	14185	1	• E-73 DP Mounting Bracket	51	09124	09124	2	••• Eye Bolt
8	14232	14232	1	• A-Frame Drive Pro	52	20357	20357	2	••• Flatwasher 5/8"
9	14289	14289	1	• E-73 Lift Unit Cover Front	53	20385	20385	2	••• Cotter Pin 1/8 x 1-1/4"
10	14288	14288	1	• E-73 Lift Unit Cover Rear	54	22989	22989	2	••• Pivot Pin 5/8 x 5-3/4"
11	14290	14290	2	• Lift Unit Cover Bracket	55	20357	20357	2	••• Flatwasher 5/8"
12	16027	16027	1	• E-73 Lift Ass'y. (Unit only)	56	22686	22686	2	••• Trip Bumper
13	18926	18926	1	• Lift Frame	57	15187	15187	1	• Breather
14	20146	20146	1	• Bolt H 5/8 - 11 x 3-1/4" Gr. 5	58	23034	23034	1	• Keyed Ignition Relay
15	20147	20147	4	• Bolt H 5/8 - 11 x 3-1/2" Gr. 5	60	14065	14065	1	• Dp Std Caster Kit
16	20309	20309	6	• Locknut 5/8 - 11	61	08571	08571	1	•• Hdwe Bag Hairpin Cotter
17	20331	20331	2	• Lockwasher 5/8"	62	14062	14062	3	••Im Xl Caster Assy
18	20357	20357	2	• Flatwasher 5/8"					
19	20385	20385	2	• Cotter Pin 1/8 x 1-1/4"					
20	22845	22845	1	• Hair Pin					
21	20420	20420	2	• Cotter Pin 1/4 x 2"					
22	22000	22000	1	• Bolt H 5/8-11 x 4-1/2" Gr. 8					
23	22022	22022	1	• Crankstand					
24	22436	22436	2	• Pin 1 x 3"					
25	23039	23039	1	• Plow Side Harness					
26	22719	22719	2	• Pivot Pin 5/8 x 3"					
27	22866	22866	1	• SAE Mx3/8 90 Degree Elbow					
28	22884	22884	1	• Hose 1/4 x 33"					
29	20027	20027	4	• Bolt H 5/16-18 x 1" Gr. 2					
30	20049	20049	4	• Bolt H 3/8-16 x 1 Gr. 2					
31	20100	20100	2	• Bolt H 1/2-13 x 2-3/4" Gr. 5					
32	20305	20305	4	• Locknut 3/8-16					
33	20307	20307	2	• Locknut 1/2-13					
34	8501003013	8501003013	4	• 5/8-11 Finish Nut					
35	20800	20800	1	• Quick Link 5/16"					
36	21543	21543	1	• Chain 5/16" x 29"					
37	11101	11101	1	• Hinge Pin					
38	22083	22083	1	• Lynch Pin					
39	20352	20352	4	• Flatwasher 5/16"					
40	8500003307001	8500003307001	2	• Bolt H 5/8-11 x 3" Gr. 5					

Parts indented are included in the carton, bag or assembly under which they are indented.

Meyer Products LLC reserves the right, under its continuing product improvement program, to change construction or design details, specifications and prices without notice or without incurring any obligation.



DP Assembly



Parts List

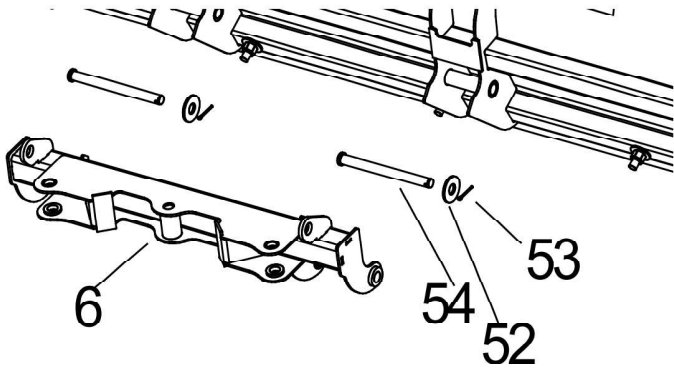
Item	DP 5' Part No.	DP 6' Part No.	DP 6'-8" Part No.	DP 7'-6" Part No.	Qty.	Description
	09472	09473	09478	09479		Drive Pro™ Moldboard Assembly
59	09319		09276	09796	1	• Cutting Edge
60	22067				5	• Bolt 1/2-13 x 3-1/4" Gr. 5
61		22067			5	• Bolt 1/2-13 x 3-1/4" Gr. 5
62			22067		6	• Bolt 1/2-13 x 3-1/4" Gr. 5
63				22067	8	• Bolt 1/2-13 x 3-1/4" Gr. 5
64	20307				5	• Locknut 1/2-13
65		20307			5	• Locknut 1/2-13
66			20307		6	• Locknut 1/2-13
67				20307	8	• Locknut 1/2-13

Parts indented are included in the assembly under which they are indented.

Meyer Products LLC reserves the right, under its continuing product improvement program, to change construction or design details, specifications and prices without notice or without incurring any obligation.

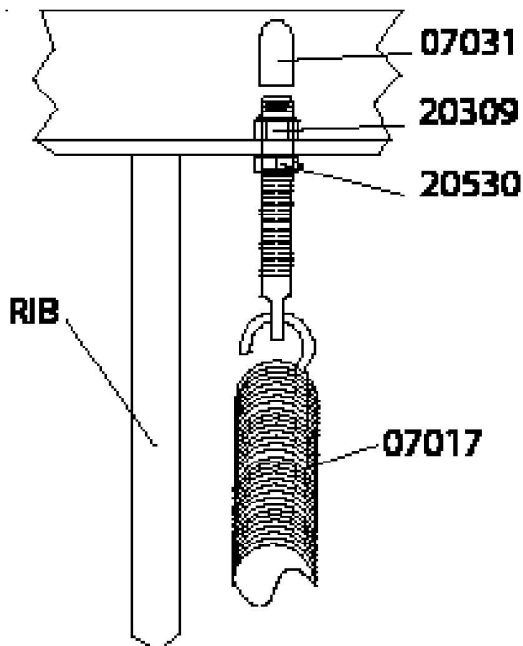
Attaching Plow to EZ Build Assembly

- A. Liberally coat Pivot Pins (54) with Coolube Multi-Purpose Premium Grease Part No. 15181.
- B. Attach Pivot Bar (6) to Moldboard with Pivot Pins (54), 5/8" flatwashers (52) and insert Cotter Pins (53).



- C. Attach Eye Bolts (51) to Moldboard and Trip Springs (42) to Pivot Bar (6), making certain locknuts are positioned as shown below.
- D. Make certain each Eye Bolt (51) is in a vertical position as shown below so that the Eye Bolt (51) and Trip Spring (42) hinge properly when moldboard trips.

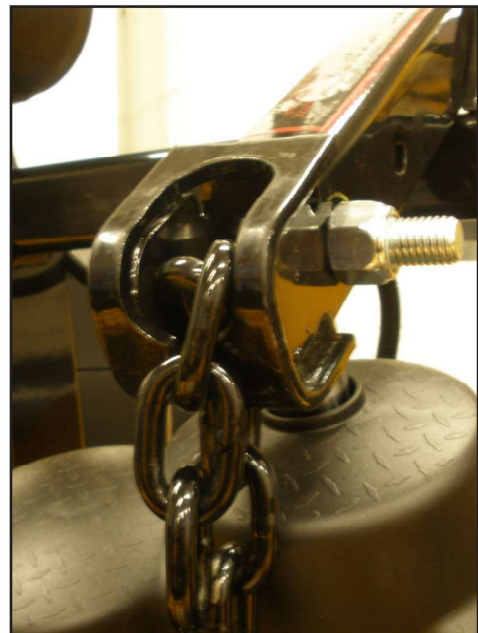
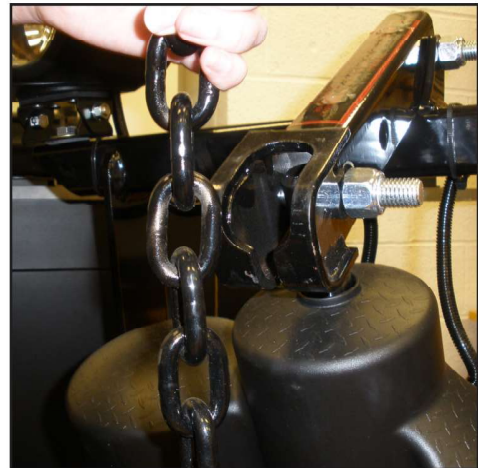
Note: Proper tension is attained when Trip Spring (42) coils just begin to separate and then tightening top locknut four additional turns. Tighten bottom Locknut (20530) to secure Eyebolt in position. Install Eyebolt caps (07031) over exposed threads.



- E. Attach Plow Markers (43) to moldboard using 5/16-18 x 1" Bolt (44), 5/16" Flatwasher (46) and 5/16-18 Locknut (45)



- F. Attach the Lift Chain to the Lift Arm (5) through the two hooks on the lift arm. Adjust the lift chain at the lift arm so that there are 2-3 links of slack. This ensures that the plow blade will lift fully and be able to follow the ground contour while plowing.



Vehicle Side Wiring Diagram



- 1) Route into vehicle's cab and plug into controller.
 - 2) Route to the front of the vehicle and plug into the plow side harness.
 - 3) Route to rear of vehicle and plug into vehicle's trailer harness.
 - 4) BLUE will connect to the vehicle's keyed accessory circuit.
 - 5) White wire will connect to 2015 & Later GM vehicles with alternator relay. See Meyer Products Service Bulletin SB252.
- The following two steps are optional and may be enforced by local law which requires your vehicle lights to be off while your plow lights are on and vice versa.
- 6) Connect the RED to the HIGH beam function.
 - 7) Connect the WHITE to the LOW beam function.

G. Run Truck Side Control Harness (50) through a hole in grille and into the engine compartment.

CAUTION Secure Truck Side Control Harness (50) from any hot or moving parts with tie wraps as needed.

- H. Drill a 1-1/4" Diameter Hole through firewall to install split bushing (48) and extend the harness into the cab of the vehicle.
- I. Run trailer end of Truck Side Control Harness to the back of the vehicle and plug into flat 4 pin trailer connector on vehicle. Be sure to add dielectric grease to the plug connection.
- J. Route Power harness through grille of vehicle and connect red to (positive post) and black wire to (negative post) of vehicle battery.

Top off the unit to the fill line on the reservoir with Meyer M-1 Hydraulic Fluid.

NOTE: Proper fluid level is to the fill line on the reservoir for the E-73. It must be checked with the lift cylinder fully retracted.

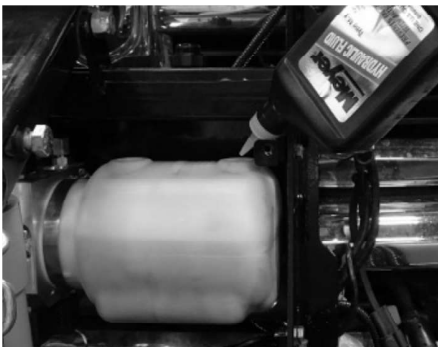
For snow plow light installation see separate instructions.

Connect both male ends from the snow plow light to the female ends on the Plow Side Harness (25).

Check snow plow light blinkers to make sure the wires have not been reversed.

Note: All electrical connections should have both ends coated with a dielectric grease, Meyer Part No. 15632, prior to final installation. This will ensure a good connection and help in preventing corrosion.

- K. Refer to Operation and Maintenance Manual for complete controller operation.



Hydraulic Solenoid Color Code:

OPERATION - SOLENOID COMBINATION

RAISE - Motor Solenoid + "B" Solenoid

LOWER - "A" Solenoid Only

LEFT ANGLE - Motor Solenoid Only

RIGHT ANGLE - Motor Solenoid + "C" Solenoid

COIL COLOR CODE

MOTOR SOLENOID - WHITE WIRE

"A" - BLACK WIRE

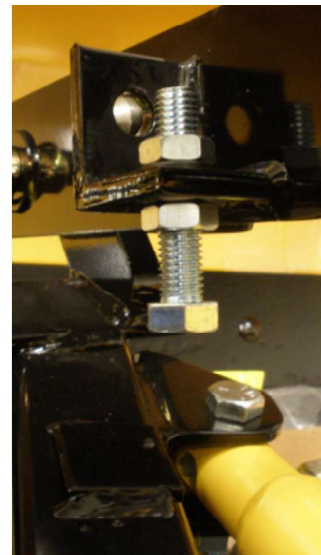
"B" - RED WIRE

"C" - GREEN WIRE

GROUND WIRE EACH COIL BLACK W/WHITE STRIPE

- M. Assemble adjustable stacking stop bolts to lift frame (13) using 5/8-11 x 2-3/4" bolts (40), lockwashers (17) and jamnuts (34). See below.

Note: Adjustment must be made after moldboard assembly is installed. Adjustment bolts (40) should make contact with the a-frame before any part of the A-Frame/ Sector or moldboard come in contact with the lift arm and, or hydraulic unit while raising the snowplow or stacking snow. Moldboard should be checked in all positions.



Mount Plow To Vehicle

For Mounting and Dis-mounting instructional video's please visit www.youtube.com/meyerproducts



2" Receiver Mounting System – Mount/ON



1. Pull vehicle into plow assembly and push plow assembly forward an inch or two.



2. Install receiver hitch pin and hair pin.



3. Adjust crankstand until it is no longer in contact with the ground.



4. Remove crankstand from a-frame.



5. Attach crankstand to lift frame.



6. Remove weather covers and connect both electrical plugs.

Meyer Products assumes no responsibility for installations not made in accordance with these instructions.

Dis-Mount Plow From Vehicle

For Mounting and Dis-mounting instructional video's please visit www.youtube.com/meyerproducts



2" Receiver Mounting System – Dismount/OFF



1. Press down button until Float light turns Blue/on.



3. Remove crankstand from lift frame.



6. Remove hair pin and pull out receiver hitch pin.



2. Push lift arm down until there is a little slack in the chain.



4. Attach crankstand to a-frame..



5. Adjust crankstand until crankstand comes into contact with the ground and then turn 1 to 2 revolutions.



7. Disconnect both electrical plugs and install weather cover on both ends.

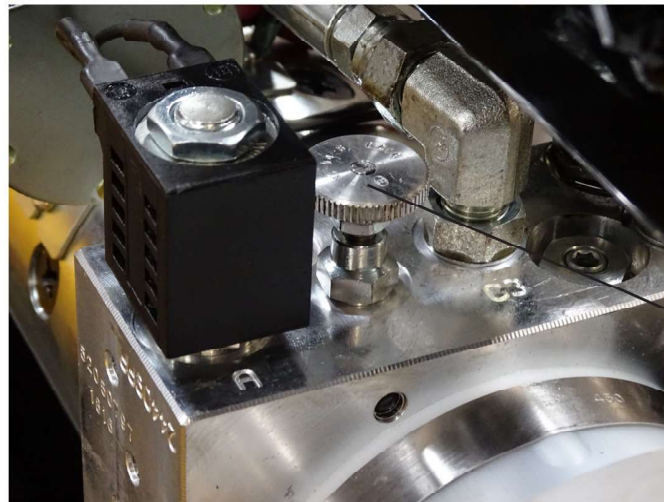


8. Back vehicle away from plow assembly.

Meyer Products assumes no responsibility for installations not made in accordance with these instructions.

Please visit <http://www.meyerproducts.com/plows/lotpro.aspx> for a complete listing of accessories

E-73 Drop Speed Adjustment



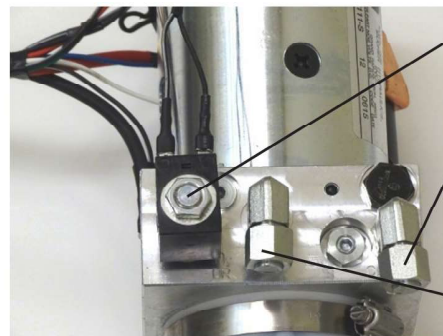
Drop Speed Adjustment

E-73 Drop Speed Adjustment: Loosen jam nut and turn knob clockwise to slow the drop of the plow and counter clockwise to speed the drop of the plow. Tighten jam nut.

E-73 Wire and Hose Locations



To Plow Lights
To Vehicle Harness



"A" Valve Black & Black with White Stripe

Left Angle Cylinder

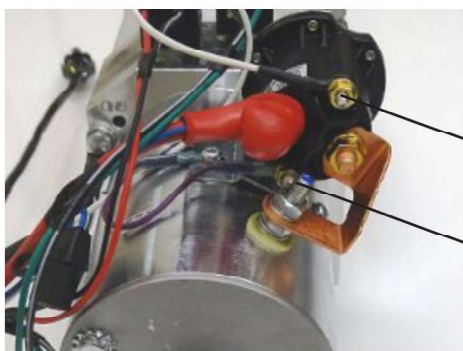
Lift Cylinder



"B" Valve Red & Black with White Stripe

"C" Valve Green & Black with White Stripe

Right Angle Cylinder



Motor Solenoid White

Motor Solenoid Purple

Please visit <http://www.meyerproducts.com/plows/lotpro.aspx> for a complete listing of accessories



PRE-DELIVERY INSPECTION

Vehicle Make: _____

Vehicle Model: _____

Vehicle Year: _____

Vehicle VIN#: _____

Vehicle FGAWR: _____

Installing Company: _____

Mounting Type:

WingMan

Plow Type:

6.8

7.6

Hydraulic Serial Number: _____

Moldboard Serial Number: _____

- All bolts torqued to specification
- Suspension interference
- 2" Receiver height in inches _____
- Trip springs adjusted
- Lift Chain Adjusted
- Check for hydraulic fluid leaks
- Hydraulic fluid Level
- Dielectric grease applied to ALL electrical connection
- All wires/modules secured
- Plow Stops Adjusted (plow cannot bump hyd. unit)
- Controller Operation

- Plow Operation Up
- Plow Operation Left
- Plow Operation Right
- Plow Operation Down
- Plow Light Blinker Left & Right Operation
- Plow Light Low & High Beam Operation
- Plow Lights Adjusted
- Plow Mount/Dismount reviewed with Customer
- Plow Operation reviewed with Customer
- Warranty/Registration/Owners Manual reviewed with Customer

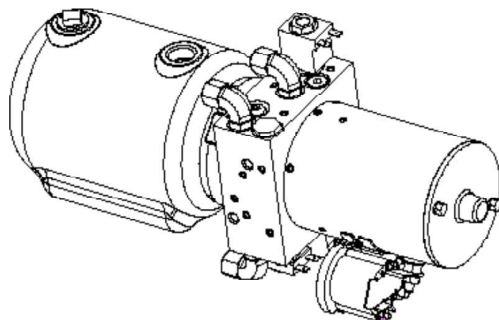
Comments:

Inspected By: _____ W.O.# _____ Date: _____

Customer Signature: _____

Serial Number Decal Locations

E-73 unit serial number is under the cover attached to the hydraulic unit.



Moldboard serial number is attached to the back of the moldboard.

